



VT-J301

Security Camera Junction Box

Features

- White aluminum alloy construction
- Camera cables can be housed inside the junction box for a neat and protected installation
- Bottom inlet and side inlet for cables
- Used for wall or ceiling mount installation
- Water-proof design

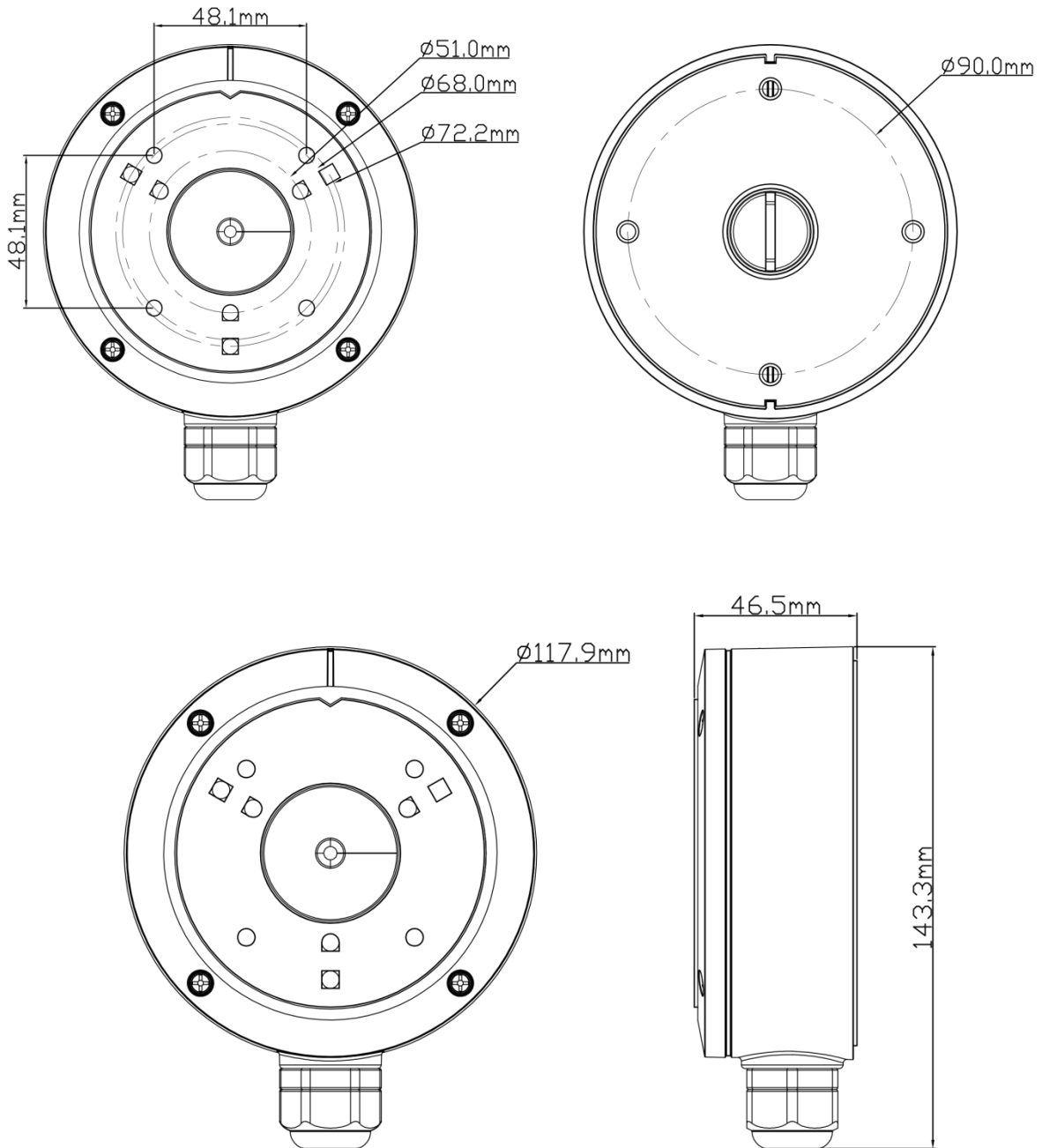
Specifications

Model	VT-J301
Material	Aluminum alloy
Color	White
Protection Grade	IP66
Min. Packaging Quantity	20
Packing Size	325x315x265mm
Dimension	117.9x47mm
Load Bearing	The wall must be strong enough to withstand at least 3 times the weight of the camera and the junction box
Net Weight	380g
Working Temperature	-40°C~+60°C(-40°F~+140°F)
Working Humidity	10%~90%

Available Model

Available Model	VT-J301	Junction Box
-----------------	---------	--------------

Dimensions



CCTV Camera Pros

7142 N Seacrest Blvd., Lantana, FL 33462

Toll Free: 1-888-849-2288

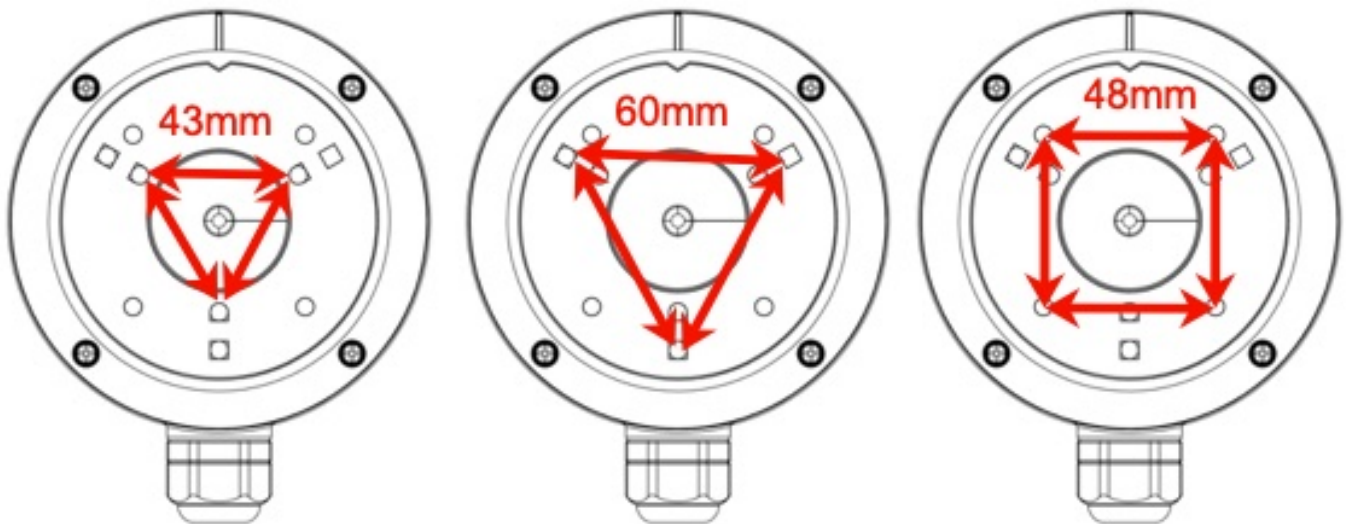
Local: 1-561-433-8488

Website: <https://www.cctvcamerapros.com/>

E-mail: info@cctvcamerapros.net

Screw Hole Measurements

The VT-J302 junction box is designed to be universally compatible with smaller security cameras. The pre-threaded machine screw threads are spaced at the following distances to support smaller 3-screw and 4-screw mount patterns for BNC and IP security cameras. Mounting screws are included.



CCTV Camera Pros

7142 N Seacrest Blvd., Lantana, FL 33462

Toll Free: 1-888-849-2288

Local: 1-561-433-8488

Website: <https://www.cctvcamerapro.com/>

E-mail: info@cctvcamerapro.net