

AHD-BL5H IR Bullet Camera

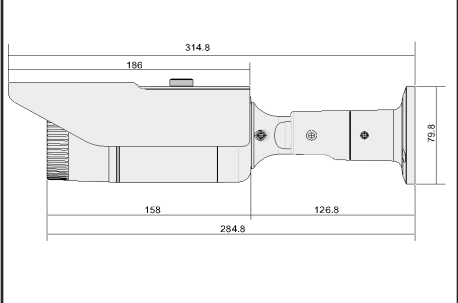
1080P HD Analog Camera (4in1)



FEATURE

- Sony 2.43Mega CMOS Sensor
- 1080P AHD/CVI/HD-TVI/CVBS Video Output (AHD Transmission Max.300M)
- 1280H(1000TVL) CVBS Video Output
- Color : 0.5 Lux, B/W : 0.05Lux
- DSS On : Color 0.002 Lux, B/W : 0.0008 Lux
- 3D-DNR, D-WDR, Sens-up
- 3Mega f=2.8~12mm Motorized LENS
- Built-in OSD Key

DIMENSION



SPECIFICATION		
	NTSC	PAL
Image Device	1/2.8" SONY CMOS (2.43Megapixel)	
Effective Pixel	1984 (H) x 1225(V)	
Scanning System	Progressive	
Resolution	1080P / MAX.1000TVL	
Minimum Illumination	Color : 0.5 Lux, BW : 0.05 Lux, Color DSS : 0.002 Lux. BW DSS : 0.0008 Lux	
Video Output	1080P AHD/HD-TVI/CVI/CVBS ANALOG: NTSC/PAL CVBS (1000TVL)	
S/N Ratio	More than 52dB	
LENS	3Mega f=2.8~12mm DC IRIS Lens	
MANT Type	Board Type	
AGC	Off/0 - 15	
Shutter Speed	AUTO/FLK. (1/25 ~ 1/50,000 sec)	
Sens-up	Off/X2 - X30	
Brightness	0 - 100	
Backlight	Off/BLC/HSBLC	
D-WDR	Off/0~8	
Defog	Off/Auto	
Day & Night	Auto / Color / B&W / EXTERN	
White Balance	ATW / AWC / INDOOR / OUTDOOR / Manual / AWB	
DNR (Digital Noise Reduction)	Off / Low / Middle / High	
Mirror	Off / MIRROR / V-FLIP / ROTATE	
Sharpness	Adjustable	
Privacy Mask	4 Masks	
Motion Detection	Off/On	
Language	English/Chinese/Germany/French/Italian/Spanish/Polish/Russian/Portuguese/Netherlands(Dutch)/Turkish	
IR LED	40IR LED / Max. 40M IR distance	
Power input	DC12V / AC24V Dual voltage	
Power Consumption	Max. 2.4W	
Operation Temperature	-10°C - +50°C	
Storage Temperature	-20°C - +60°C	

COMPARISON IMAGE

You can select the video output by camera OSD key before installation

