

VT-L203 Dome Wall Mount L-Bracket



VT-L203

Dome Wall Mounting Bracket

Features

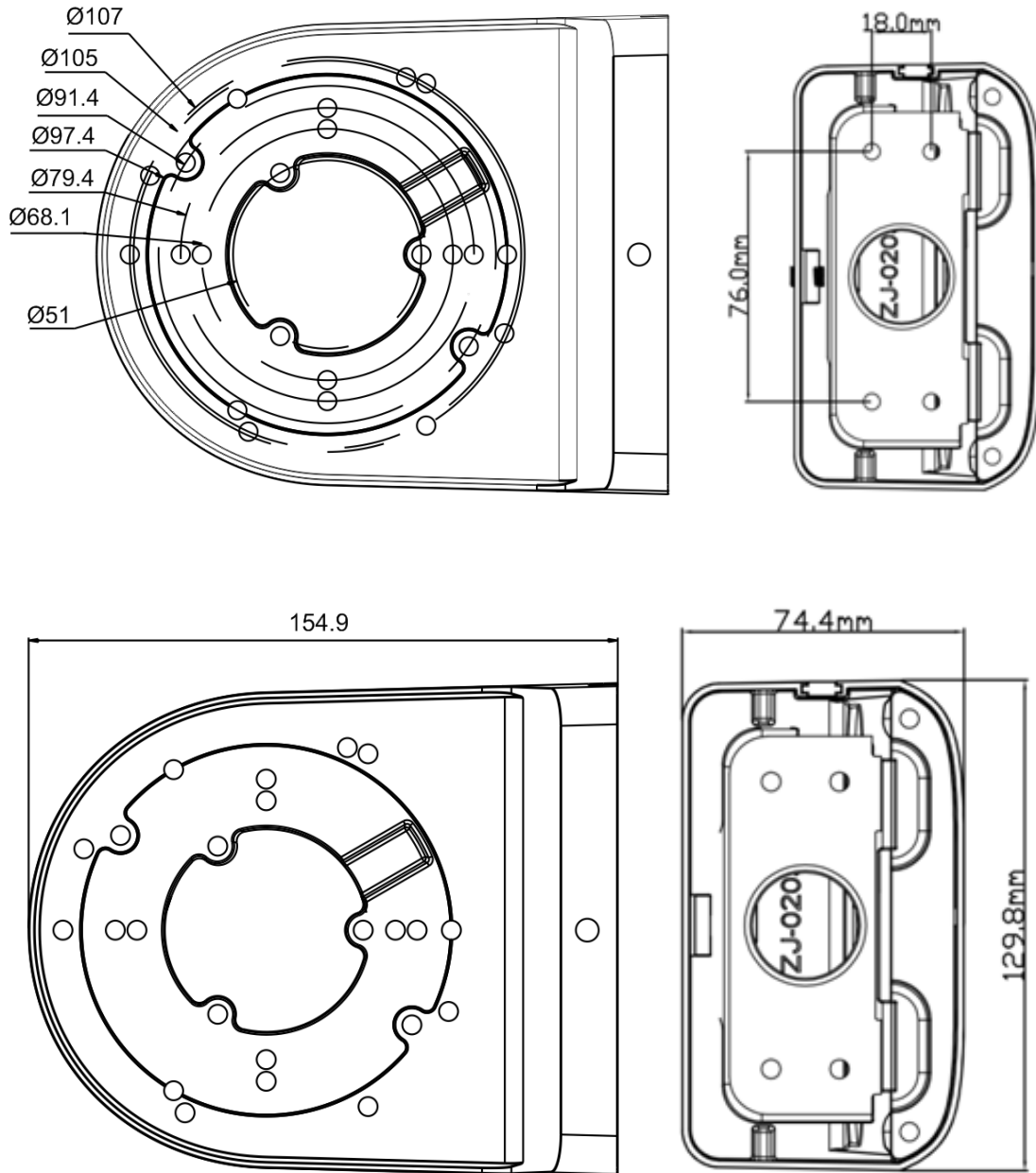
- White aluminum alloy
- Camera cables and connectors fit inside the bracket for a neat installation
- Universal wall mount L-bracket for dome security cameras
- Pre-threaded screw holes compatible with Viewtron BNC cameras and [Viewtron IP cameras](#)
- Pre-threaded screw holes also compatible with most other security camera manufacturers

Specifications

Model	Viewtron VT-L203
Material	Aluminum alloy
Color	White
Compatibility	Univeral
Packing Size	450x280x340mm
Dimension	129.8x154.9x74.4mm
Net Weight	527g
Load Bearing	The wall must be strong enough to withstand at least 3 times the weight of the camera and the bracket.
Working Temperature	-40°C~+60°C(-40°F~+140°F)
Working Humidity	10% ~ 90%

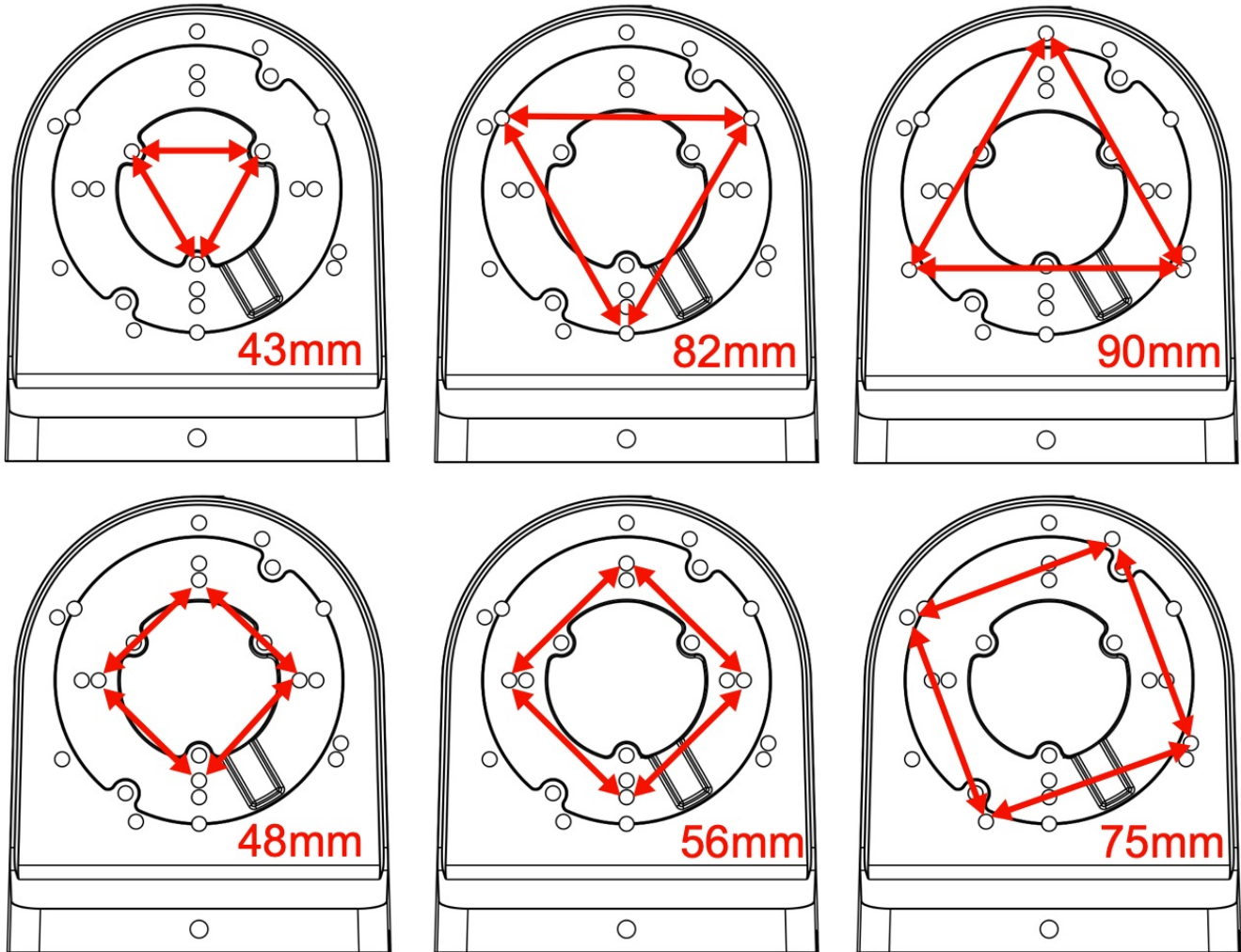
VT-L203 Dome Wall Mount L-Bracket

Dimensions



Screw Patterns

The VT-L203 is designed to be a universally compatible L-Bracket for all dome security cameras, from any manufacturer. Please refer to the below pre-threaded screw hole patterns. The VT-L203 includes the properly threaded machine screws for installation.



CCTV Camera Pros

7142 N Seacrest Blvd., Lantana, FL 33462

Toll Free: 1-888-849-2288

Local: 1-561-433-8488

Website: <https://www.cctvcamerapro.com/>

E-mail: info@cctvcamerapro.net